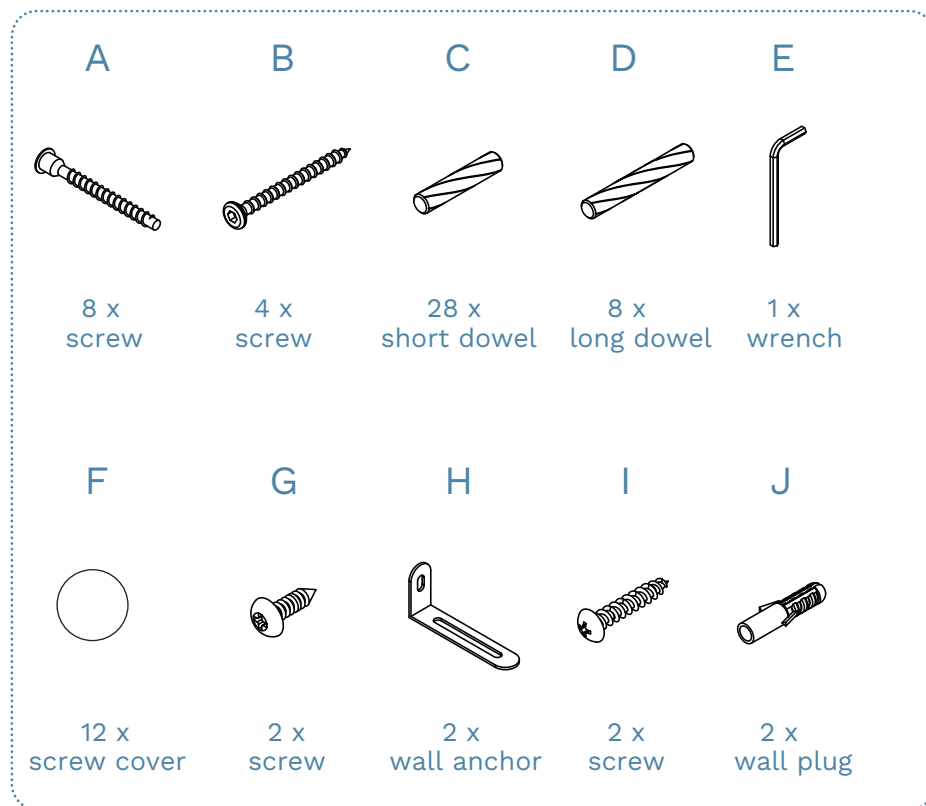


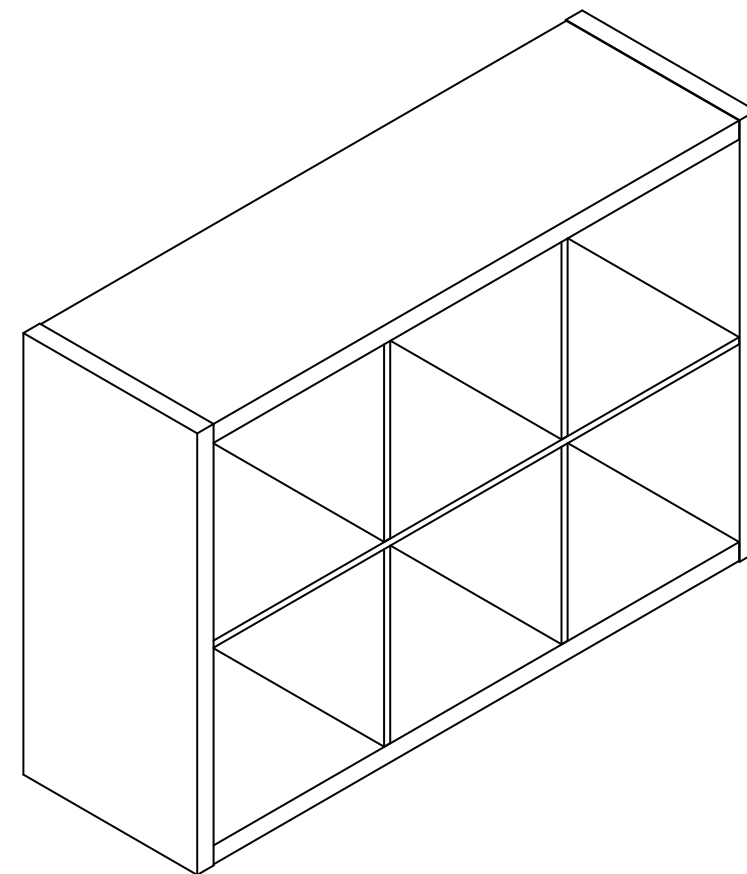
Six Cube

Thank you for purchasing Six Cube. Please follow the manufacturer's assembly instructions in detail.



Phillips & Flathead screwdrivers required.

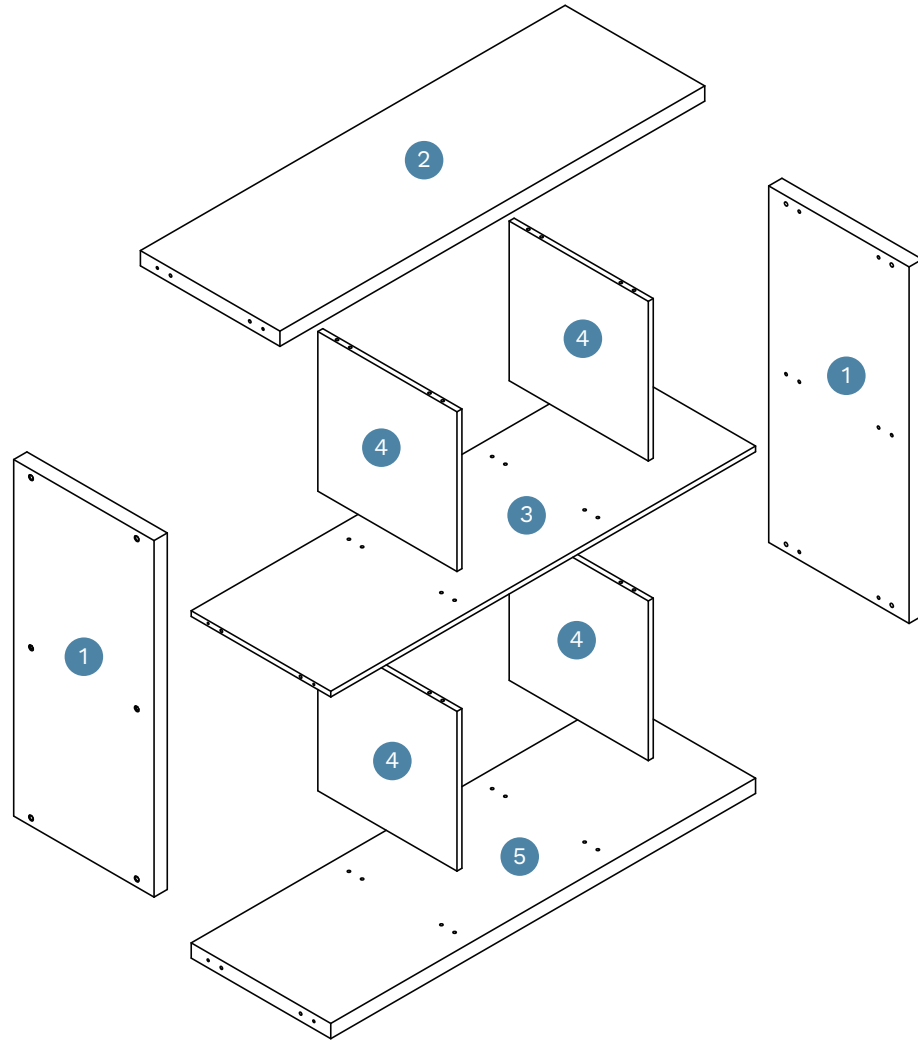
For quicker assembly, we recommend the use of a power drill on a low-speed setting.



WARNING: Any furniture that is not anchored to a wall has the potential to tip over in certain circumstances, ie. if a child attempts to climb on the furniture or in the event of an earthquake. Accordingly, we recommend that all furniture is anchored to a wall. We supply a free safety wall anchor with all furniture sold and we recommend these are used to prevent your product tipping. The fixing device provided should fit most wall types, but please note that different wall materials may require different fixing devices from those supplied.

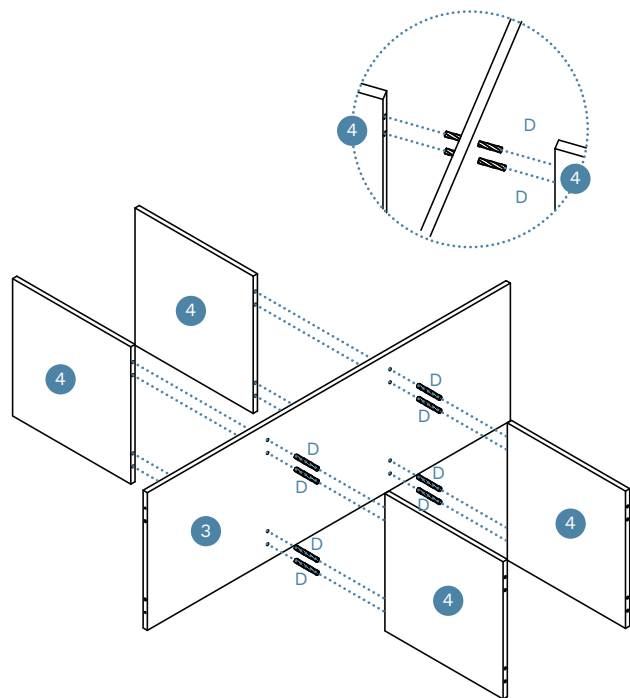
Mocka.

Six Cube



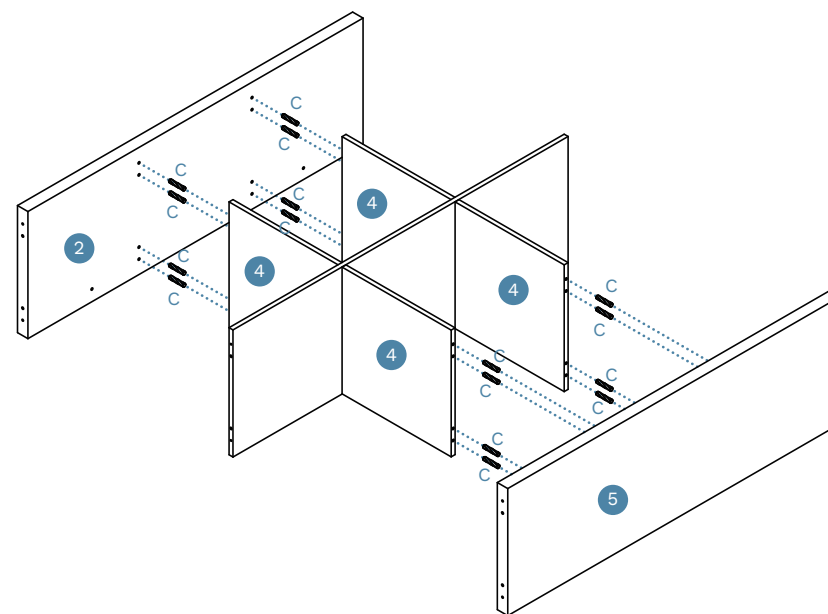
Six Cube

1



Attach 4 x panels (4) to panel (3) together as shown and secure with 8 x long dowels (D).

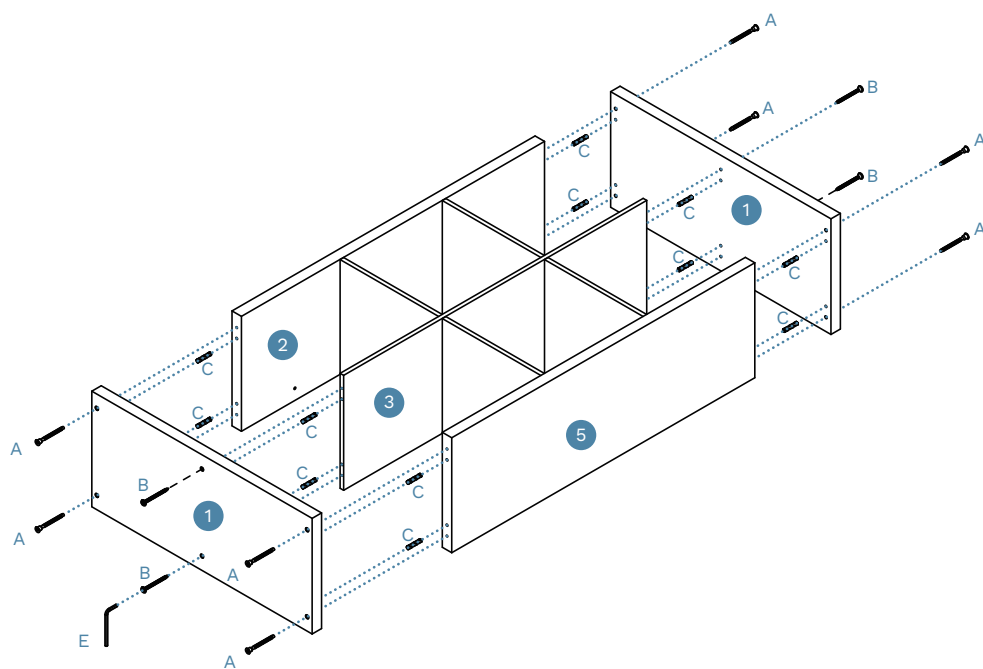
2



Attach panels (2) and (5) to panels (4) together as shown and secure with 16 x short dowels (C).

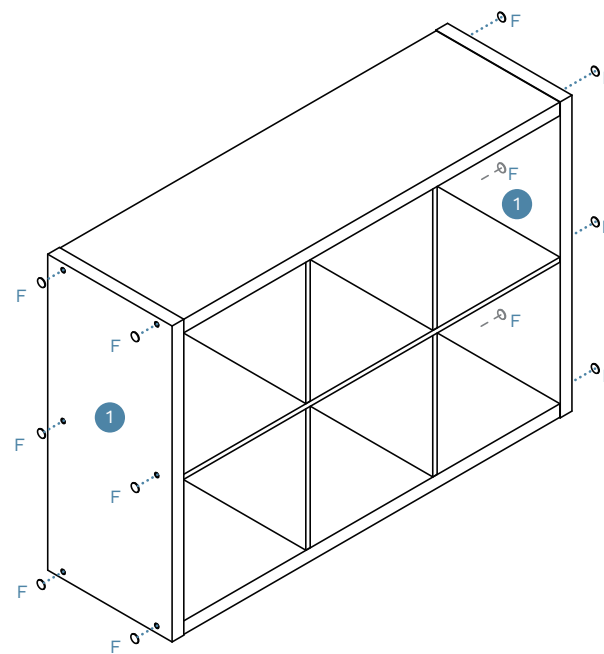
Six Cube

3



Attach 2 x panels (1) to assembled frame and secure with 12 x short dowels (C), 8 x screws (A) and 4 x screws (B). Tighten with an Allen Key (E).

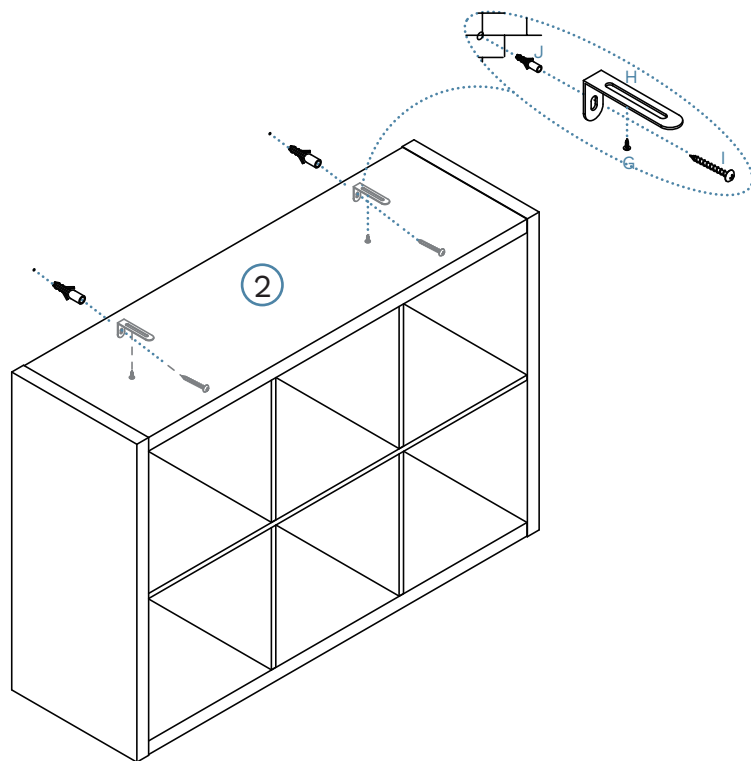
4



Attach 12 x screw covers (F) to assembled frame as shown.

Six Cube

5



Once assembled lift furniture into place, do not drag. Use a drill to create a small hole lining up with the top of the 2 x wall anchors (H) and 2 x screws (G). Fasten to the wall using 2 x wall plugs (J) and 2 x screws (I). Ensure unit is balanced and steady before use. You're done, enjoy!